

Direct multi-channel audio

TRS is part of Boredbrain's direct multi-channel audio series of modules, which interconnect to provide a multitude of audio outputs to eurorack systems. TRS can interface with the IO module and/or Xcelon mixer for twelve balanced audio outputs, or up to twenty-four using two TRS modules.

Features

- Connects to IO module to provide twelve balanced audio outputs
- Connects to Xcelon mixer and expanders for six stereo direct outputs
- Balanced line-level audio outputs on ¼-inch TRS jacks
- Low-noise signal path with isolated channel circuitry

Technical Specs

- **Width:** 8 HP
- **Depth:** 1.38 in (35 mm)
- **Weight:** 3.1 oz (88 g)
- **Output Impedance:** 50 Ω
- **SNR:** > 102 dB
- **Power:** +12 V 90 mA, -12 V 90 mA



8 HP

Flexible Interconnection

On the front of the module are twelve TRS jacks, which each output balanced line-level audio signals. The channel numbers above each jack (**OUT 1-12**) correspond to those on the rear input ports.

The two input ports on the back of the module (**INPUT 1-6, 7-12**) accept signals from compatible Boredbrain modules using the supplied 8-pin ribbon cables. When connected to the IO module, these ports accept groups of six individual input signals. Similarly, when connected to the Xcelon mixer or XP3 channel expander, these ports accept banks of three stereo mixer channels for direct output. The connections to these ports can be mixed and matched in any order, and both the **PRE** and **POST** direct outputs for a bank of channels (Xcelon) can be used simultaneously.

Possible Configurations

Please refer to the diagrams on the reverse side.

NOTE: *These configurations represent the most common scenarios. More may be possible by combining select modules in the Xcelon and Direct Multi-Channel Audio series.*

Limited Warranty

This product is guaranteed to be free of functional defects for a period of 180 days from original purchase date. Proof of purchase is required for any warranty claim. Return shipping costs are covered by Boredbrain Music within the first 30 days of purchase only. Products with obvious signs of abuse or that have been modified by the end user, may not be covered under this warranty, at the discretion of Boredbrain Music.

Service & Inquiries

If you experience a problem with your Boredbrain product, or just want to share something interesting with us, please contact us at the link below and be sure to include your name, original purchase date, and a description of the problem you are experiencing. Then just hold tight, as we return most inquiries within 48 hours. We want to work with you to resolve your issue as soon as possible. Thank you!

boredbrainmusic.com/contact



trs

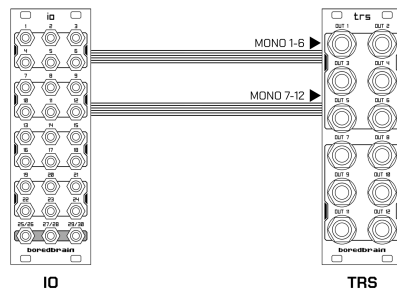
12-CHANNEL DIRECT OUTPUT

USER GUIDE

IO + TRS

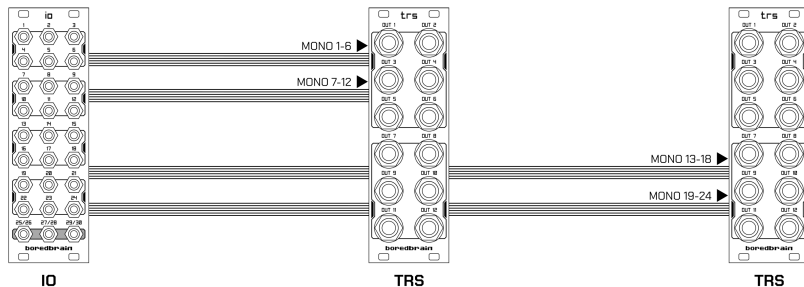
12 mono balanced line outputs

This simple configuration allows for twelve TRS outputs, and may be expanded further using the remaining three ports [eighteen signals) on the IO module.



IO + TRS + TRS

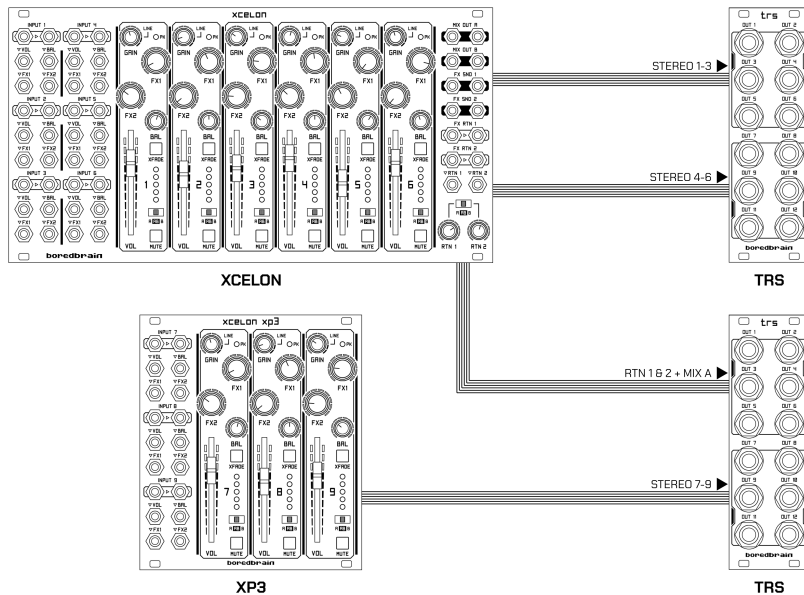
24 mono balanced line outputs



This configuration doubles the number of balanced TRS outputs by introducing an additional TRS module to the setup.

XCELON + XP3 + TRS + TRS

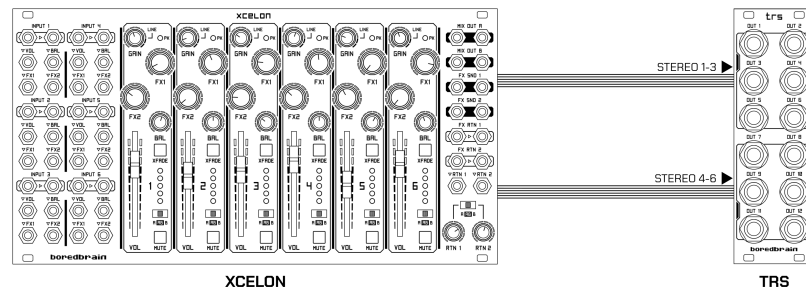
12 stereo balanced direct outputs



This configuration provides balanced direct outputs for all stereo channels [1-9] plus the two FX Returns and MIX A in an Xcelon mixer system with one XP3, by introducing an additional TRS module to the setup.

XCELON + TRS

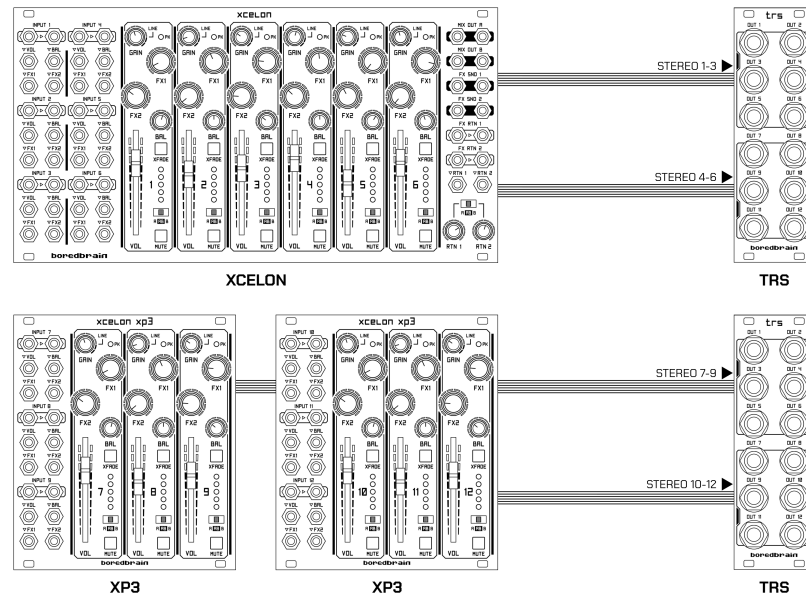
6 stereo balanced direct outputs



This simple configuration provides balanced line outputs for all of the primary stereo channels of Xcelon [1-6].

XCELON + XP3 + XP3 + TRS + TRS

12 stereo balanced direct outputs



This advanced configuration provides balanced direct outputs for all stereo channels in a fully expanded Xcelon mixer system with two XP3, by introducing an additional TRS module to the setup.